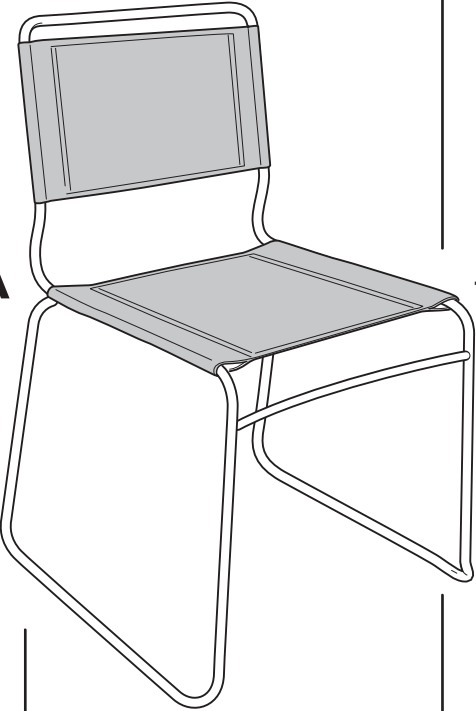



# SANDRA

| Ref.     | DETAIL  | Pcs. |
|----------|---|------|
| <b>A</b> |    | 1    |
| <b>E</b> |  | 4    |

